

ULTRA MAX®

Sealed Gel Rechargeable Battery Product Specification

SLAUMXNPG35-12(12V35AH)



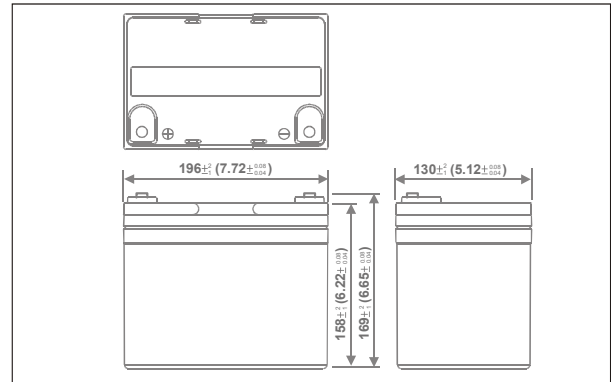
Specifications

Nominal Voltage		12V
Rated capacity (20 hour rate)		36Ah
Dimensions	Total Height	169 mm(6.65 inches)
	Height	158 mm(6.22 inches)
	Length	196 mm(7.72 inches)
	Width	130 mm(5.12 inches)
Weight Approx		10.7 Kg (23.54 lbs)

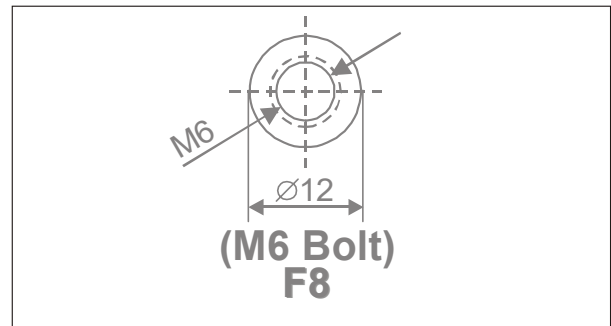
Characteristics

Capacity 25°C(77°F)	20 hour rate(1.80 A)	36.0 AH
	10 hour rate(3.50 A)	35.0AH
	5 hour rate(6.12 A)	30.6AH
	1 hour rate(19.8 A)	19.8AH
	1.5 hour discharge to 10.5V	14.4 A
Internal Resistance	Full charged Battery at 25°C(77°F)	4 mΩ
Capacity affected by Temperature (20 hour rate)	40°C(104°F)	102%
	25°C(77°F)	100%
	0°C(32°F)	85%
	-15°C(5°F)	65%
Self-Discharge at 25°C(77°F)	Capacity after 1 month storage	92%
	Capacity after 3 month storage	90%
	Capacity after 6 month storage	80%
Terminal	M6	
Charge (constant Voltage)	Cycle	Maximum Charging Current 10.8 A Voltage 13.80-14.40V
	Float	Voltage 13.50-13.80V

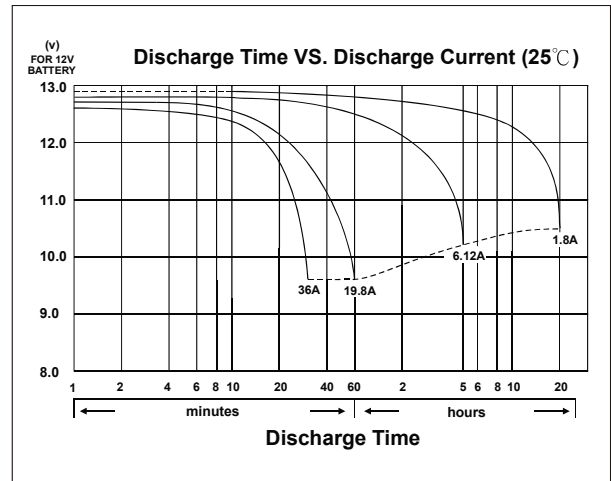
Outer dimensions (mm)



Terminal Type (mm)



Discharge Curves 25°C(77°F)



Constant Current(Amp) and Constant Power(Watt) Discharge Table at 25 °C(77 °F)

Time		5 Min	10 Min	15 Min	30 Min	1hr	2Hr	3Hr	4Hr	5Hr	10Hr	20Hr
9.60V	A	123	83.1	58.9	38.2	23.7	13	9.66	7.5	6.19	3.64	1.91
	W	1248	924	726	442.2	277.2	149.4	118.2	90.6	75	45.36	23.4
10.20V	A	110	74.3	57.4	36.8	23.1	12.5	9.38	7.42	6.13	3.6	1.88
	W	1140	834	678	427.8	272.4	146.4	116.4	89.4	75	43.8	22.62
10.50V	A	102	70	56.4	36.2	22.9	12.3	9.29	7.37	6.08	3.56	1.85
	W	1074	798	660	420.6	270	145.8	115.8	88.8	74.4	43.14	22.14
10.80V	A	91.8	65.4	55.4	35.4	22.7	12.1	9.14	7.31	6.02	3.51	1.8
	W	996	750	636	412.2	267	144	114.6	88.2	74.4	42.42	21.66
11.10V	A	82.2	60.7	52.7	34.4	22.4	11.8	9.03	7.25	5.95	3.45	1.72
	W	924	702	606	402.6	262.2	142.2	114	87.6	73.8	41.64	21