

Sealed Gel Rechargeable Battery Product Specification

SLAUMXNPG38-12(12V38AH)



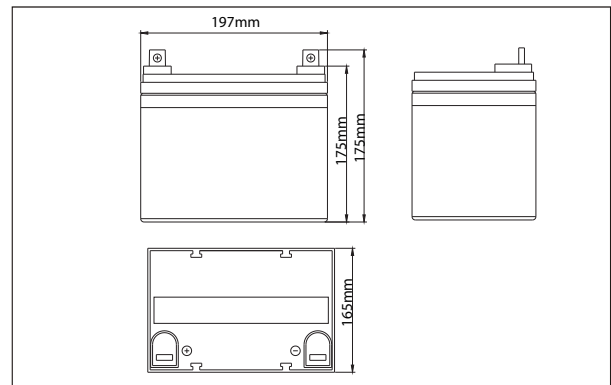
Specifications

Nominal Voltage		12V
Rated capacity (20 hour rate)		38.6Ah
Dimensions	Total Height	175 mm(6.88 inches)
	Height	175 mm (6.88 inches)
	Length	197 mm (7.75 inches)
	Width	165 mm(6.49 inches)
Weight Approx		12.2 Kg (26.9 lbs)

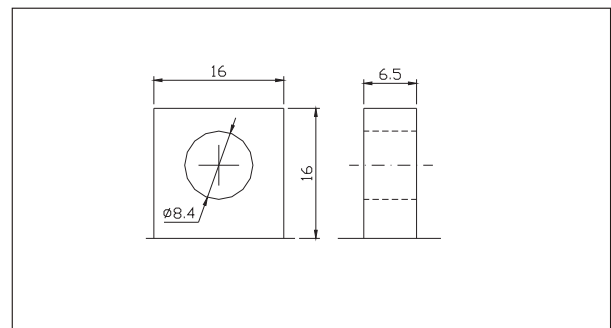
Characteristics

Capacity 25°C(77°F)	20 hour rate(1.93 A)	38.6 AH
	10 hour rate(3.80 A)	38.0AH
	5 hour rate(6.40 A)	32.0AH
	1 hour rate(26.0 A)	26.0AH
	1.5 hour discharge to 10.5V	15.2 A
Internal Resistance	Full charged Battery at 25°C(77°F)	7.5 mΩ
Capacity affected by Temperature (20 hour rate)	40°C(104°F)	102%
	25°C(77°F)	100%
	0°C(32°F)	85%
	-15°C(5°F)	65%
Self-Discharge at 25°C(77°F)	Capacity after 3 month storage	93%
	Capacity after 6 month storage	83%
	Capacity after 12 month storage	65%
Terminal		T4
Charge (constant Voltage)	Cycle	Maximum Charging Current 11.4 A Voltage 14.50-14.90V
	Float	Voltage 13.60-13.80V

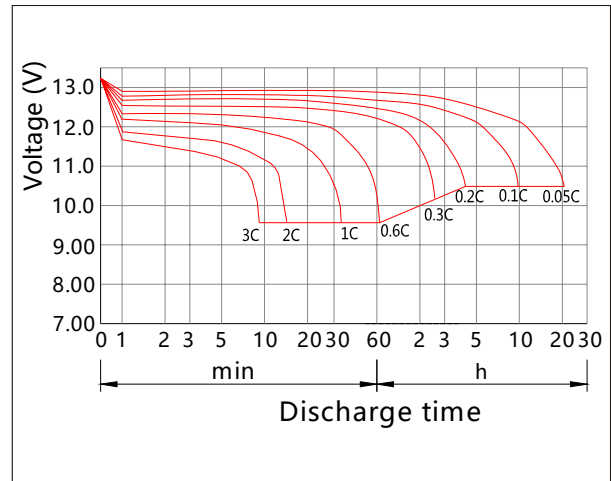
Outer dimensions (mm)



Terminal Type (mm)



Discharge Curves 25°C(77 °F)



Constant Current(Amp) and Constant Power(Watt) Discharge Table at 25 °C(77 °F)

Time		5Min	10Min	15Min	30Min	2Hr	3Hr	4Hr	5Hr	8Hr	10Hr	20Hr
9.60V	A	99.55	74.14	58.02	38.15	14.04	10.16	8.108	6.884	4.663	3.871	2.122
	W	1050	789.6	632.5	428.1	165.5	121.2	96.65	82.13	55.67	46.26	25.44
10.20V	A	96.67	70.54	56.83	37.52	13.93	10.12	8.07	6.844	4.625	3.834	2.083
	W	1030	765.4	622.3	427.7	164.6	120.9	96.52	81.92	55.41	45.97	25
10.50V	A	93.81	68.05	55.93	37.4	13.83	10.04	8.033	6.803	4.587	3.797	2.045
	W	1018	745.2	615.3	426.7	163.6	120.4	96.31	81.64	55.04	45.56	24.54
10.80V	A	85.23	63.55	53.88	37.2	13.72	10	7.958	6.722	4.549	3.759	2
	W	937.5	702.2	593.8	424.7	162.4	119.9	95.41	80.67	54.59	45.11	24
11.10V	A	77.82	58.63	50.25	37	13.48	9.729	7.77	6.557	4.368	3.64	1.899
	W	863.8	654.9	555.2	422.9	160.4	116.7	93.24	78.69	52.41	43.68	22.79