

Lithium Iron Phosphate (LiFePO4) Battery Specification

SLAUMXLI7.5-24(25.6V7.5AH)



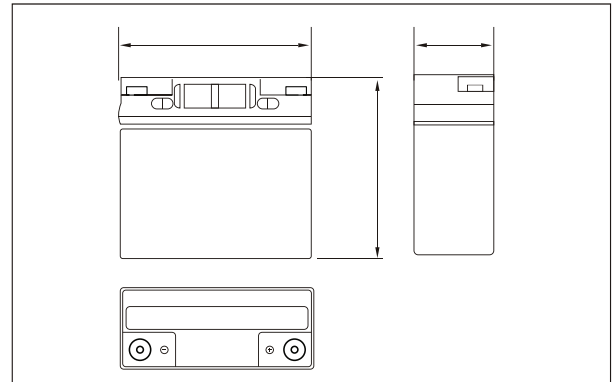
● Specifications

Nominal Voltage		25.6V
Rated capacity (20 hour rate)		7.5Ah
Dimensions	Total Height	168 mm(6.61inches)
	Height	168 mm(6.61inches)
	Length	181 mm(7.13inches)
	Width	76.5 mm(3.02inches)
Weight Approx		2.30 Kg (5.07 lbs)
Terminal		F8

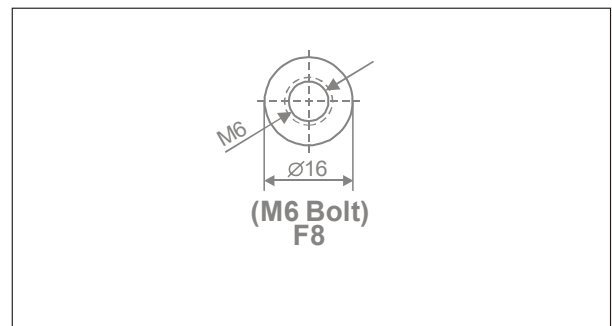
● Characteristics

Capacity Retention	>80% at 28 days	
Cycle Life	>80% at 1500 Cycles	
1.5 hour discharge to 10.5V	3.00 A	
Internal Resistance	<110 mΩ	
Charge Characteristics	Charge Voltage	28.8±0.1V
	Charger Current	<2A
Discharge Characteristics	Continuous Current	7.5A
	Maximum Pulse Current	15A(<3s)
	Discharge Cut-off Voltage	20V
Temperature	Charge Temperature	0°C-45°C(32°F-113°F)
	Discharge Temperature	-20°C-60°C(-4°F-140°F)
	Storage Temperature	0°C-40°C(32°F-104°F)

● Outer dimensions (mm)



● Terminal Type (mm)



● Discharge Curves 25°C(77 °F)

