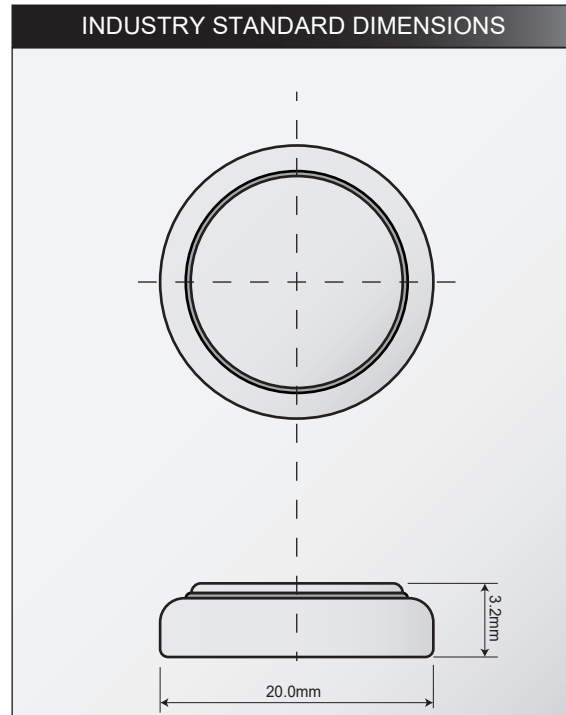
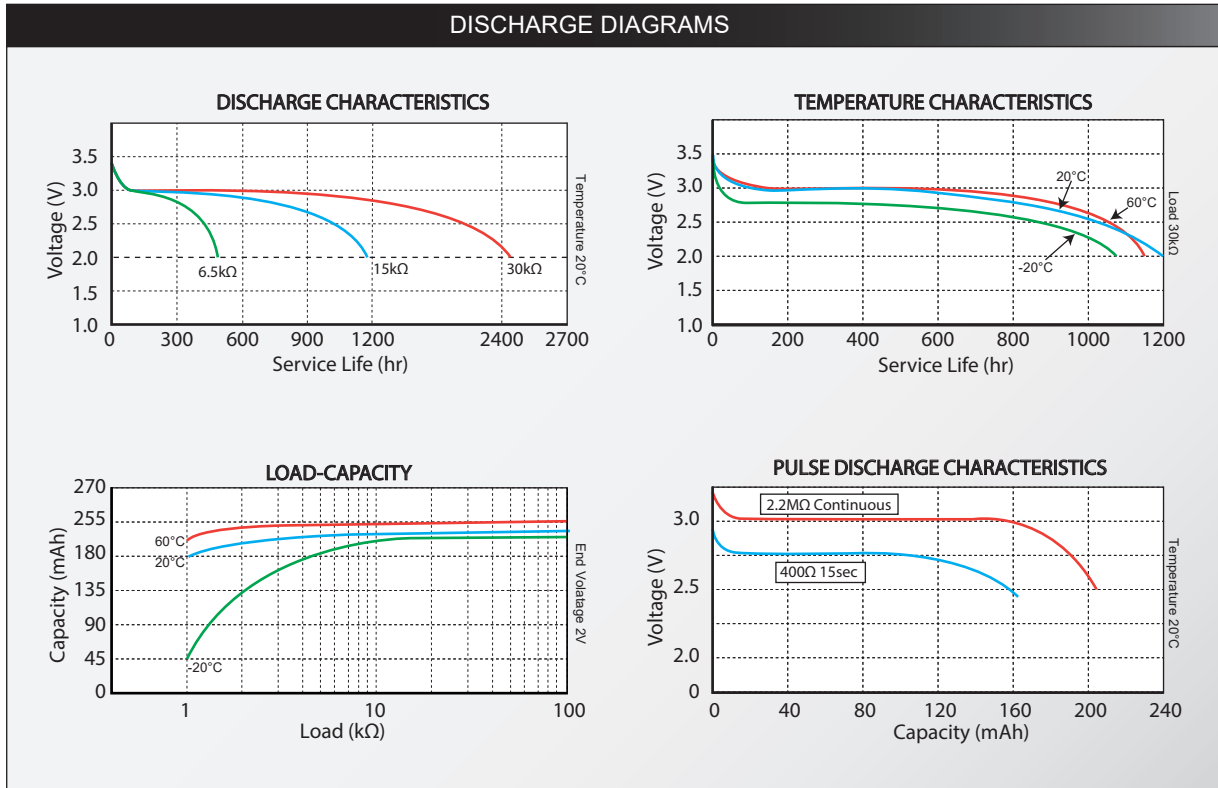


ULTRA MAX LITHIUM STANDARD (CR2032) Coin Cell



SPECIFICATION	
DESIGNATION	CR2032
NOMINAL VOLTAGE	3.0V
TYPICAL CAPACITY	210mAh
TYPICAL WEIGHT	2.75g
TYPICAL VOLUME	1.0cm ³
INSTANT SHORT-CIRCUIT CURRENT	≥250mA
CHEMICAL SYSTEM	Lithium Manganese Dioxide
SELF-DISCHARGE RATE	≤1% per year
OPERATING TEMPERATURE RANGE	-20°C~60°C



Important Notice

Delivered capacity is dependent on the applied load, operating temperature and cut-off voltage. Please refer to the charts and discharge data shown.

This specification contains typical information specific to products manufactured at the time of publication. The data is subject to change and should be used for reference only. Contact UltraMax for the latest information.